

D1312-T80L-6 (TC)

Acousto-Optic Deflector



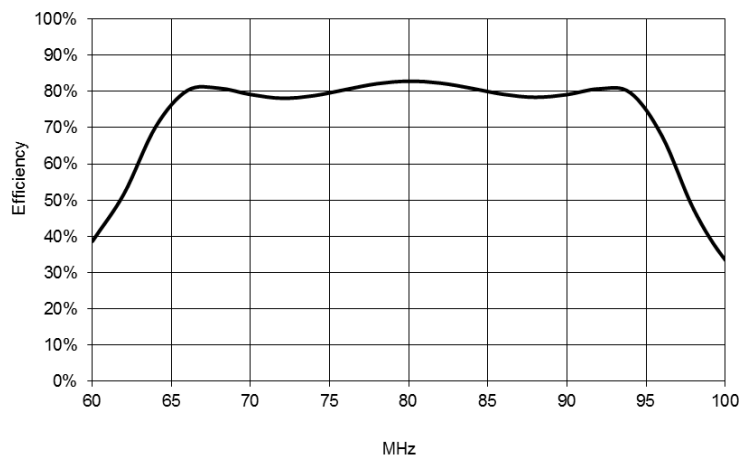
0420

Larger aperture AO deflector designed for High Power Fibre and DPSS, NIR lasers. The unit incorporates two section acoustic beam steering to produce a flat scan response. Applications include high speed, sequential multi-point scanning or fast sweep operation.

SPECIFICATIONS

| | |
|---------------------------|--|
| Spectral Range: | 0.36 > 1.5 μ m |
| Standard A/R Wavelengths: | 1.064 - 1.1 μ m |
| Optical Power: | 500 Watts ** |
| Interaction Medium: | Tellurium Dioxide (TeO ₂) |
| Acoustic Velocity: | 4.2mm/ μ s |
| Centre Frequency (Fc): | 80MHz (nominal) |
| RF Bandwidth: | 30MHz |
| Input Impedance: | 50 Ω Nominal |
| VSWR: | <1.5:1 @ Fc |
| Clear Aperture: | 8mm |
| Active Aperture Height: | 6mm |
| Static Insertion Loss | <3% at 1.1 μ m |
| Reflectivity: | < 0.5%/Surface |
| Laser Polarization: | Any |
| RF Power (total): | 7.5 Watts nominal |
| Bragg Angle: | 10.2 mrad |
| Typical Scan Angle: | 7.7 mrad |
| Cooling: | Water cooled Corrosion inhibitor strongly recommended. Thermal interlock switch opens at 40degC. |

TYPICAL SCAN PERFORMANCE at 1.1 μ m *

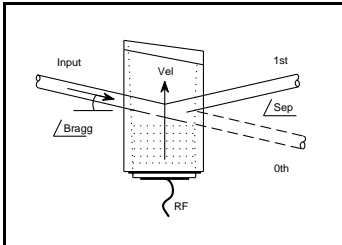


* Single mode input

** For higher powers please contact Isomet.

ALL SPECIFICATIONS SUBJECT TO CHANGE WITHOUT NOTICE
 ISOMET CORP, 10342 Battlevue Parkway, Manassas, VA 20109, USA.
 Tel: (703) 321 8301 Fax: (703) 321 8546
 E-mail: ISOMET@ISOMET.COM Web Page: WWW.ISOMET.COM

Quality Assured.
In-house: Crystal Growth,
Optical Polishing,
A/R coating, Vacuum Bonding



D1312-T80L-6 (TC)

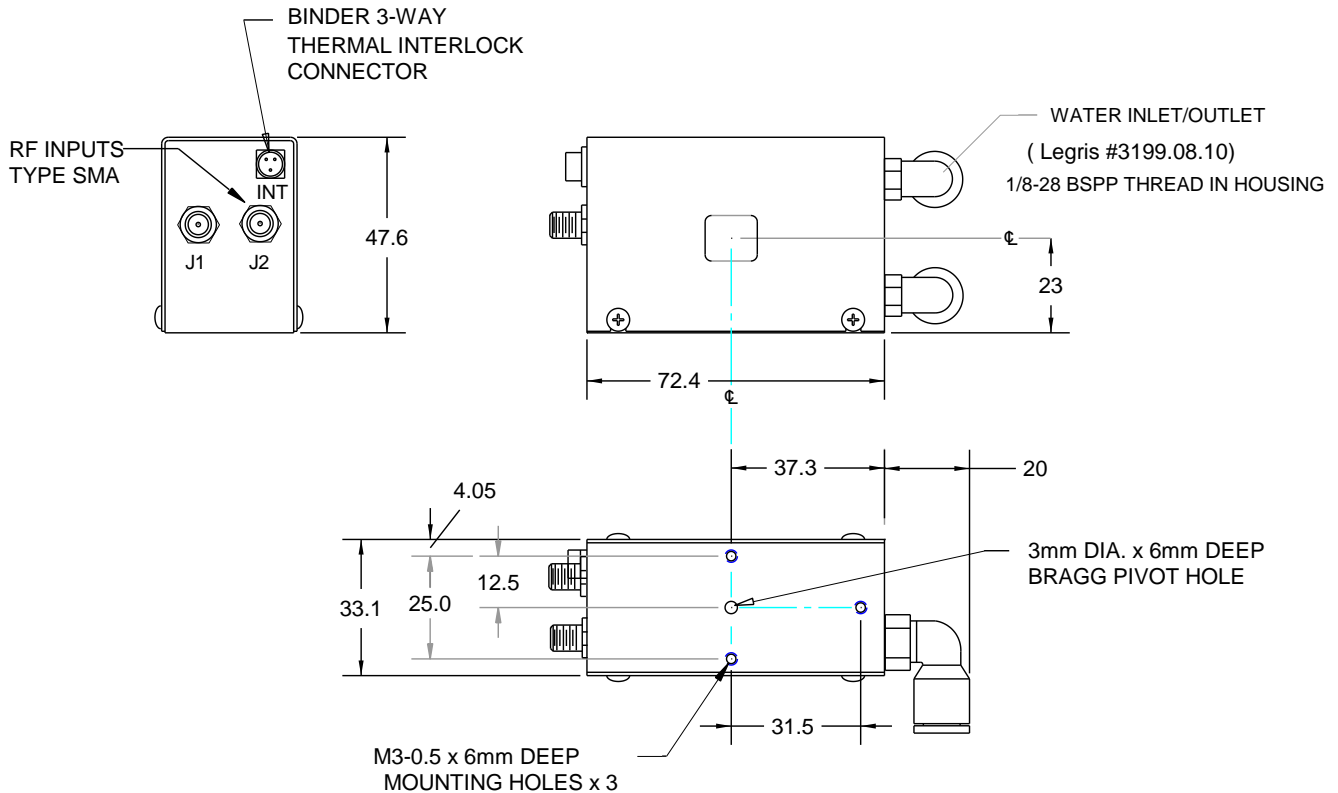
Acousto-Optic Deflector



0420

OUTLINE DRAWING

Dimensions: mm
Case material: Aluminium (standard) or Tellurium Copper (option -TC)



Recommended Driver(s)

VCO based: RFA3080-2-BR.

or

Synthesizer based: 1off iMS4-PT plus 2off AF0-80T-4 amplifiers.

ALL SPECIFICATIONS SUBJECT TO CHANGE WITHOUT NOTICE

ISOMET CORP, 10342 Battlevue Parkway, Manassas, VA 20109, USA.

Tel: (703) 321 8301 Fax: (703) 321 8546

E-mail: ISOMET@ISOMET.COM Web Page: WWW.ISOMET.COM

Quality Assured.

**In-house: Crystal Growth,
Optical Polishing,
A/R coating, Vacuum Bonding**